

Stainless steel fittings, machined and welded threads with deep drawn flange, for immersion heaters

Minimum Size	Maximum Size	Material	Type	Model
1½"	M77 × 2	AISI 304 AISI 316	Tig welded thread for enclosure	66YS

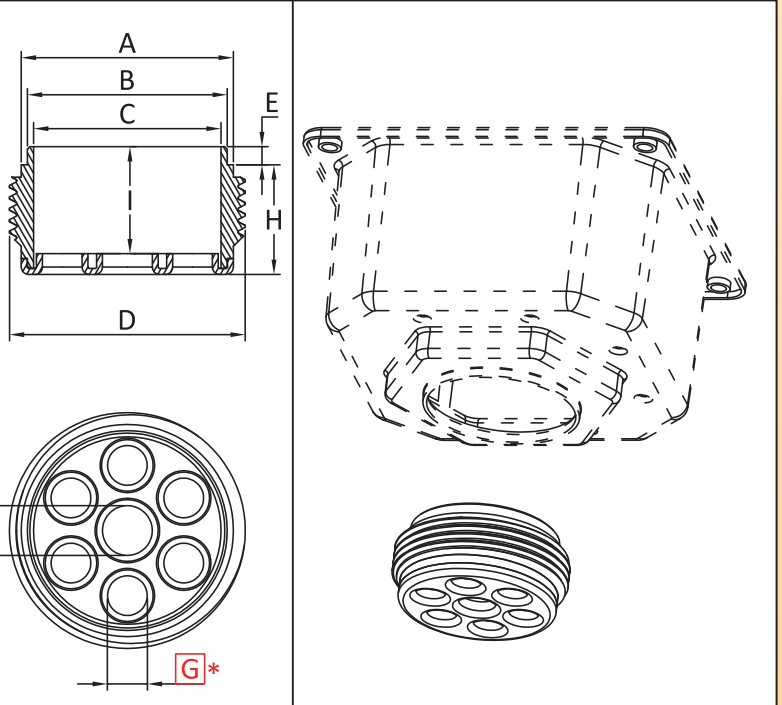
Compatible with:

<input checked="" type="checkbox"/> Y3S6	<input checked="" type="checkbox"/> Y3SB
<input checked="" type="checkbox"/> Y3S8	<input checked="" type="checkbox"/> Y3SC
<input checked="" type="checkbox"/> Y3S9	

Designed for direct welding on enclosures or deep drawn fittings with soldering lip.



/	1-1/2"	M45x2	2-1/2"	M77x2
A	Ø43	Ø43	Ø72	Ø72
B	Ø40.5	Ø40.5	Ø69.5	Ø69.5
C	Ø38	Ø38	Ø66.5	Ø66.5
D	1-1/2"	M45x2	2-1/2"	M77x2
E	3.7	3.7	3.7	3.7
F	Ø8.6(x0,x1) Ø10(x0,x1)	Ø8.6(x0,x1) Ø10(x0,x1)	Ø8.6(x0,x1,x2) Ø10(x0,x1,x2) Ø12(x0,x1,x2)	Ø8.6(x0,x1,x2) Ø10(x0,x1,x2) Ø12(x0,x1,x2)
G	Ø6(x2,x4,x6) Ø8(x2,x4,x6)	Ø6(x2,x4,x6) Ø8(x2,x4,x6)	Ø8(x2,x4,x6) Ø10(x2,x4,x6) Ø12(x2,x4,x6)	Ø8(x2,x4,x6) Ø10(x2,x4,x6) Ø12(x2,x4,x6)
H	22	22	22	22
I	21.5	21.5	21.5	21.5



Main references

Dimensions	References in 304	References in 316
1-1/2"	66YSC112I22*****	66YSC112T22*****
M45x2	66YSM452I22*****	66YSM452T22*****
2-1/2"	66YSC212I22*****	66YSC212T22*****
M77x2	66YSM772I22*****	66YSM772T22*****

Links

	Page (.pdf)
	Drawing 2D (.dwg)
	Drawing 3D (.stp)

Specify dimensions and quantity of holes F and G.

Red dimensions inside rectangular frames on drawings are used for assembly on enclosures or on fittings.

